

# DDSU666 Single Phase DIN-Rail Meter



LCD Type

## Function

- LCD Display
- Bi-Direction Measurement
- DIN-Rail Installation

## Features



HIGH ACCURACY



LOW CONSUMPTION

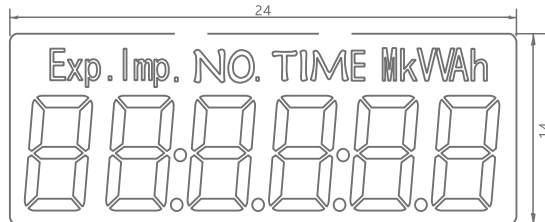


BI-DIRECTION MEASUREMENT



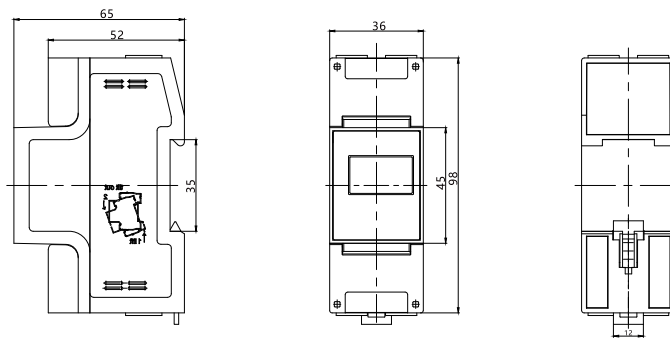
LARGE LCD DISPLAY

## LCD Indication



Units: mm

## Meter Dimensions



Units: mm

# DDSU666 Single Phase DIN-Rail Meter

---

## Specifications

### Measurement

- Compliance with IEC60252-11 IEC62053-21
- Connection type: 1P2W
- Accuracy: Class 1.0 for active

### Voltage

- Nominal voltage (Un): 120V, 220V, 230V, 240V
- Operating range: 0.7Un ~ 1.2Un
- Power consumption: ≤1W, 5VA

### Current

- CT: 1.5(6)A
- DC: 5(80)A

### Frequency

- 50Hz or 60Hz

### LCD Display

- 7 characters of 7 segment display
- Digital size: 5.3mm × 2.8mm

### LED Display

- Number of flashes per kWh

### Measured Values

- Total kWh
- Instantaneous kW
- Instantaneous Irms, Vrms, frequency, power factor

### Communications

- RS485
- Protocol: Modbus and DL/T

### Environmental

- Operating range limit: -40°C to +75°C
- Storage range limit: -40°C to +85°C
- Relative humidity: ≤ 95%RH
- Ingress protection: IP54

### Dimensions and Weight

- Dimensions: 98mm × 65mm × 36mm
- Weight: 0.2 kg (Approx.)